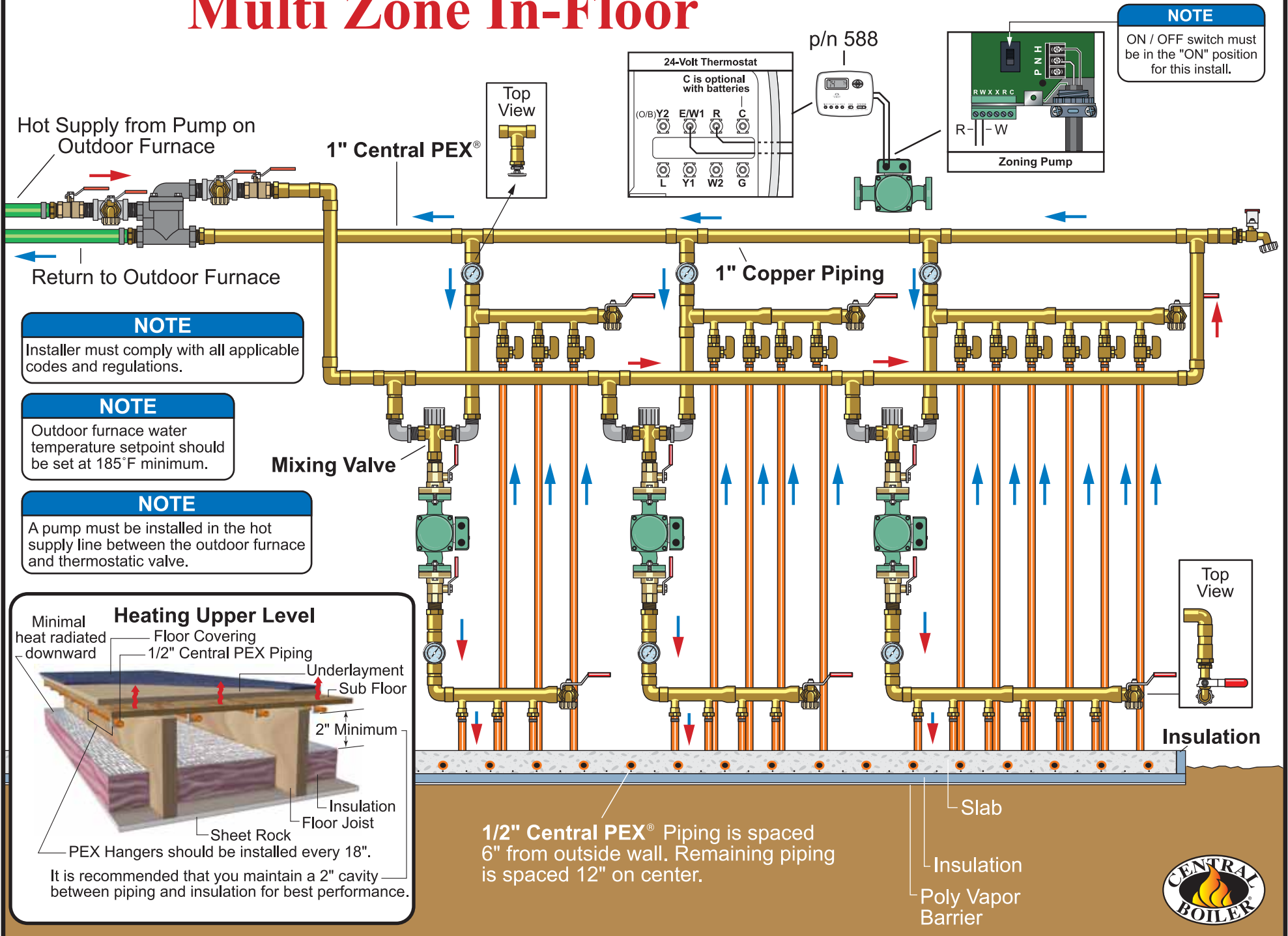


Multi Zone In-Floor



NOTE
ON / OFF switch must be in the "ON" position for this install.

NOTE
Installer must comply with all applicable codes and regulations.

NOTE
Outdoor furnace water temperature setpoint should be set at 185°F minimum.

NOTE
A pump must be installed in the hot supply line between the outdoor furnace and thermostatic valve.

Heating Upper Level

Minimal heat radiated downward

Floor Covering

1/2" Central PEX Piping

Underlayment

Sub Floor

2" Minimum

Insulation

Floor Joist

Sheet Rock

PEX Hangers should be installed every 18".

It is recommended that you maintain a 2" cavity between piping and insulation for best performance.

1/2" Central PEX® Piping is spaced 6" from outside wall. Remaining piping is spaced 12" on center.

