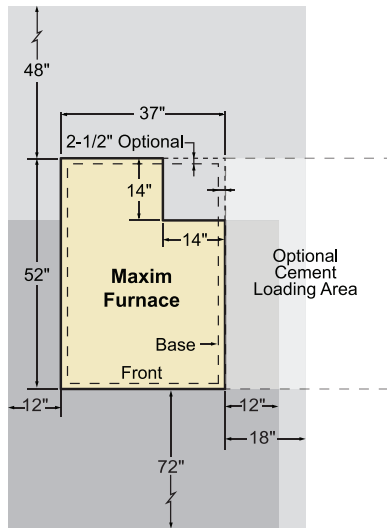
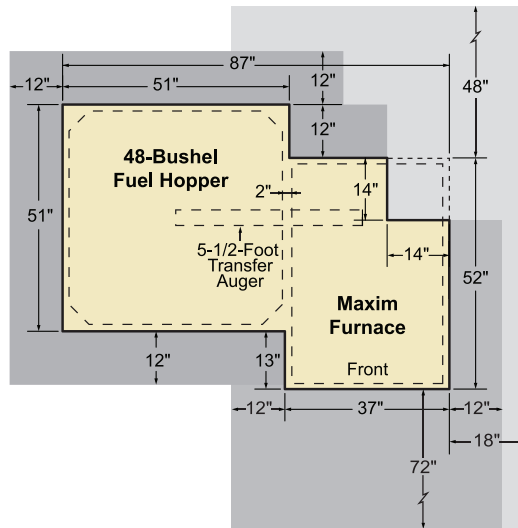


# Maxim M175 and M250 Furnace and Foundation Base Dimensions

*Optional Foundation  
Shown without optional hopper.*



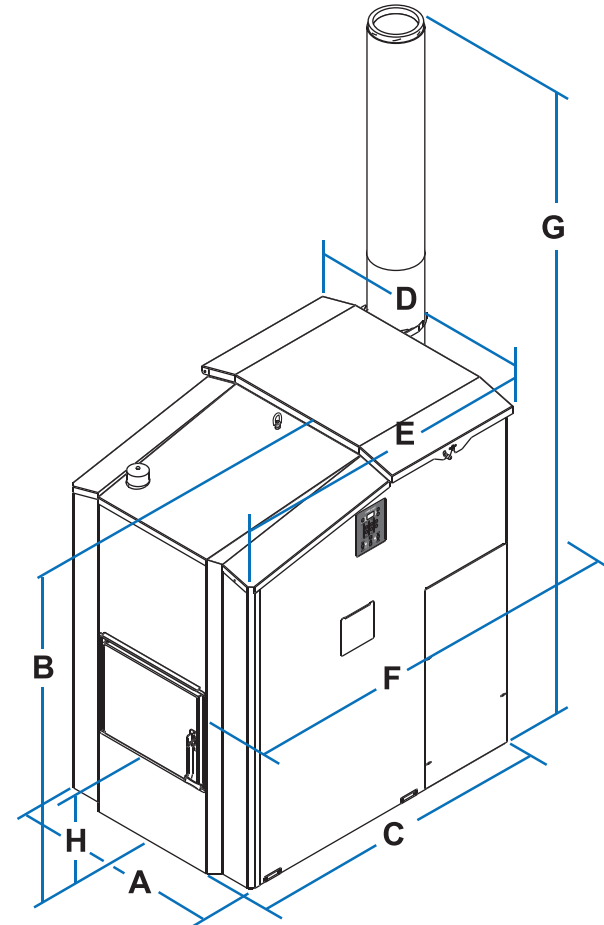
*Optional 48-Bushel  
Hopper with Foundation*



Foundations dimensions are 1-1/2 in. beyond the outside perimeter of the base.

- Recommended maintenance clearances
- 2" rigid foam insulation (optional)

**CAUTION**  
Do not use any combustible materials for the foundation.



## NOTE

Furnace must be installed on a noncombustible surface or foundation that incorporates an enclosure that will prevent supply and return lines from possible exposure to sunlight, fire, or physical damage that may be caused by an occurrence outside the furnace enclosure.

## Maxim Measurements

Model	A	B	C	D	E	F	G	H
<b>M175</b>	34"	55"	49.5"	36"	48"	59.5"	125.5"	10.5"
<b>M250</b>	34"	57"	49.5"	36"	48"	59.5"	117.5"	14.5"

\* Measurement (F) is from firebox door to chimney inspection cover.

\*\* Measurement (G) includes two 4 ft. chimney sections.

